

High energy efficiency due to maintenance-free AC drive motor

Effortless operation with jetPILOT electric steering

curveCONTROL for advanced stability when turning

Electronic speedCONTROL for smooth travel

Additional productivity-enhancing options available for the EZS 350NA model



EZS 350NA / C40NA

Tow Tractor (11,000 / 8,800 lbs.)

The EZS 350NA/C40NA tow tractors offer high performance for increased productivity. By combining Jungheinrich® AC technology with advanced regenerative braking, these models can efficiently work up to two shifts on a single battery charge in most applications. Combined with its effortless and intuitive electric power steering, these tow tractors put your operators in control.

A heavy-duty, removable steel hitch plate accepts a wide variety of hitch types. These can be bolt- or weld-mounted within a generous height range, based on specific application requirements. The optional single pin and clevis-type tow hitch is visible from every position and is easily accessible.

The truck's high performance is due to the AC drive motor, which provides powerful acceleration and high travel speeds in addition to significant energy efficiency, longer operating times and low maintenance (through the omission of carbon brushes). This is a result of the effective design between the drive motor, the electronic controller and the regenerative braking function.

The EZS series offers several ergonomic features, including an extremely low step height for frequent entry and exit to the platform. A kneepad and padded backrest with grab handle provide further operator comfort. Vibrations felt during travel are effectively minimized due to solid-pneumatic rear wheels and a suspended, stand-on platform with cushioned rubber mat.

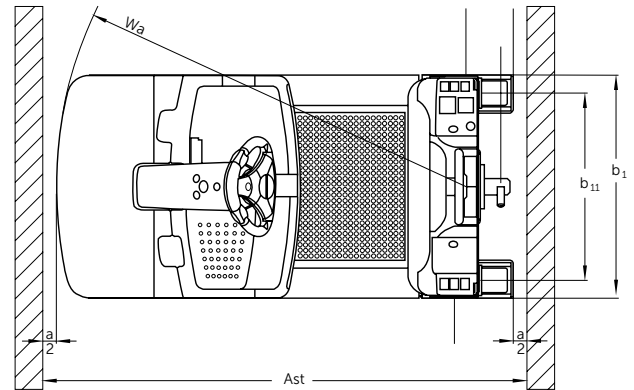
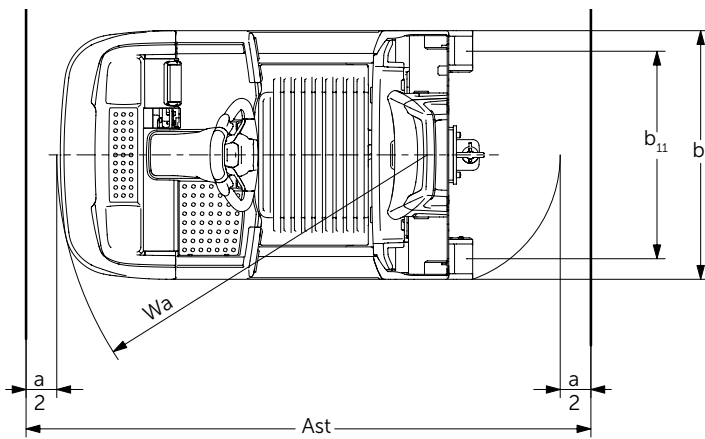
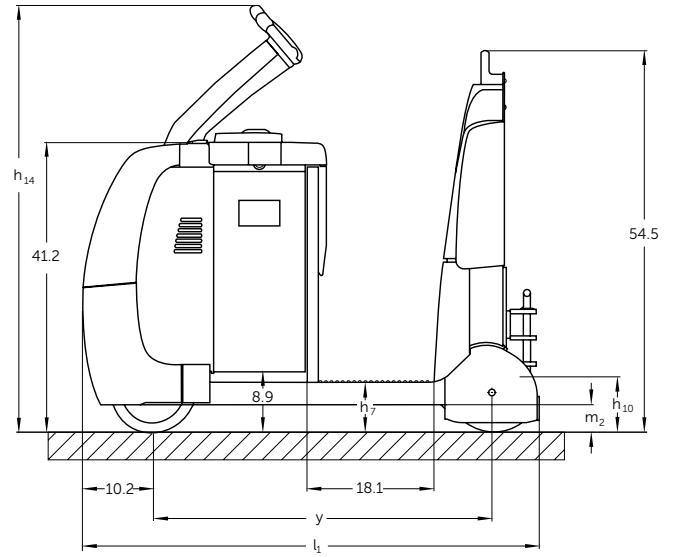
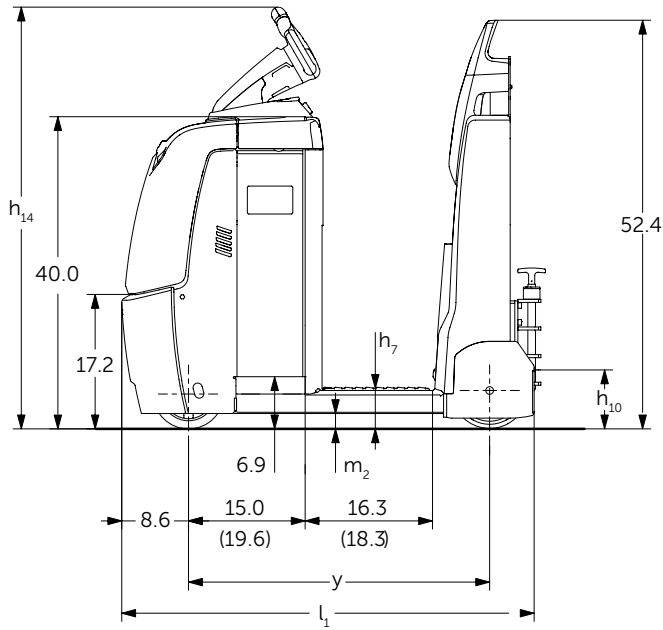
The EZS 350NA/C40NA tow tractors also operate effortlessly when turning in confined spaces, due to the short turning radius and electric steering offered through the jetPILOT steering wheel. The limited steering arc of the jetPILOT helps to ensure the operator's upper body remains within the confines of the truck compartment during sharp turns, increasing operator confidence and reducing fatigue.

Both tow tractors also include curveCONTROL for added stability, automatically reducing speed when turning, which enhances control of the truck during operation.

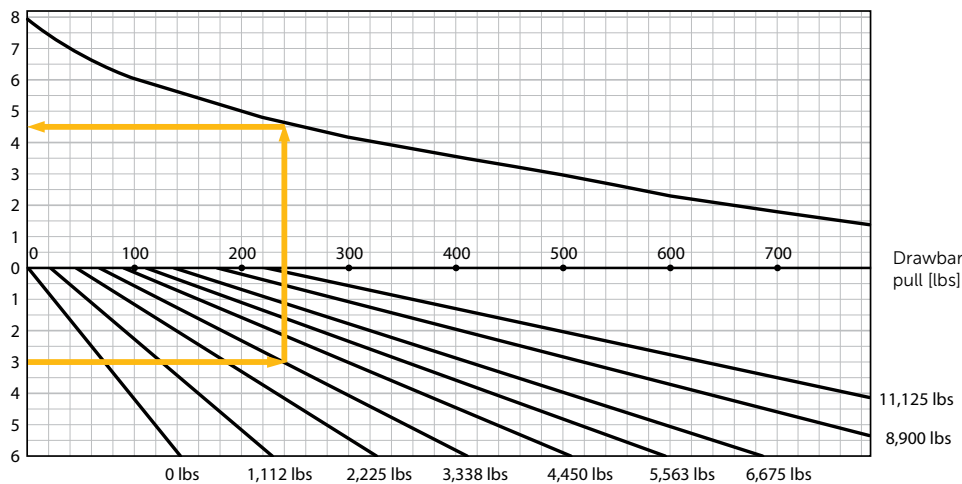
The EZS 350NA model can be equipped with an optional extended stand-on platform for increased operator comfort during operation.

**JUNGHEINRICH®**

EZS 350NA / C40NA



Performance Diagram EZS 350NA



Example:

When the EZS 350NA pulls a 3,338 lb. load up a 3% grade, it requires 240 lbs. of drawbar pull and achieves a maximum speed of 4.5 mph.

Notes:

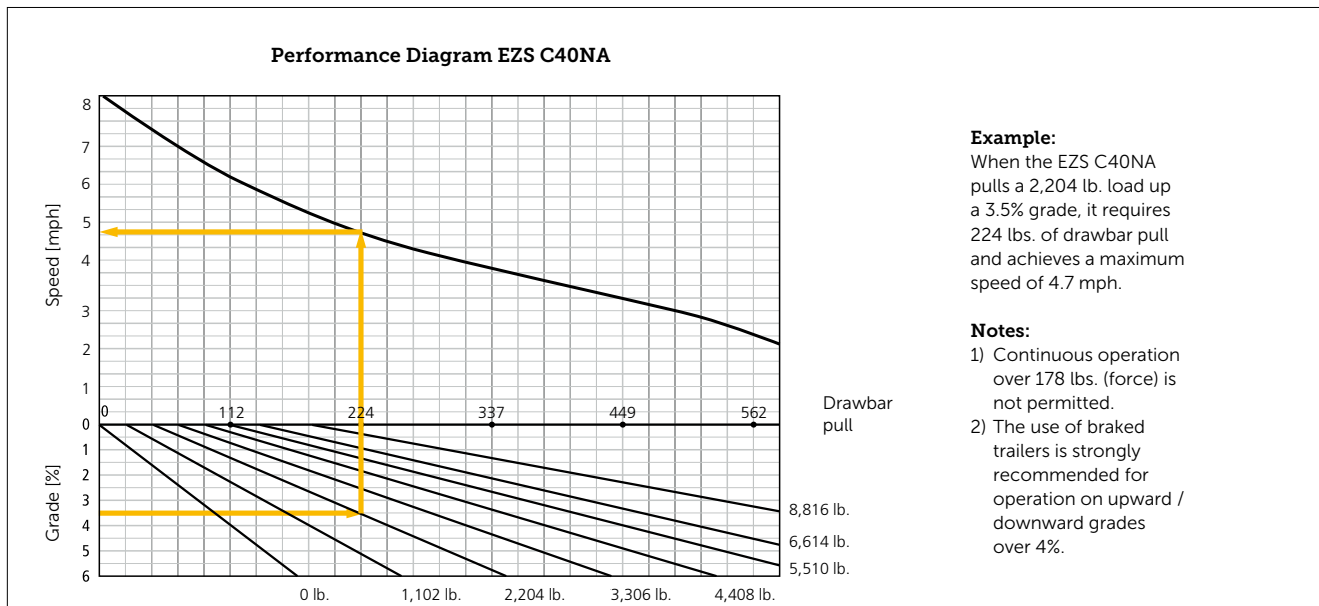
- 1) Continuous operation over 240 lbs. (force) is not permitted.
- 2) The use of braked trailers is strongly recommended for operation on upward / downward grades over 4%.

Technical data

as of: 09/2016

				Jungheinrich EZS 350NA		Jungheinrich EZS C40NA			
Characteristics	1.1	Manufacturer		Jungheinrich		Jungheinrich			
	1.2	Model		EZS 350NA		EZS C40NA			
	1.3	Drive		electric		electric			
	1.4	Type of operation		stand-on		stand-on			
	1.5	Load capacity / rated load	Q	lbs	kg	11,000	5,000	8,800	4,000
Weights	1.7	Rated tractive power	F	lbs	N	225	1,000	178	800
	1.9	Wheelbase	y	in	mm	45.2	1,148	48.4	1,229
	2.1	Service weight with minimum weight battery		lbs	kg	2,398	1,088	2,398	1,088
	2.1.1	Net weight including battery (see row 6.5)		lbs	kg	2,844	1,290	2,612	1,185
2.3	Axle loading – unloaded, front / rear		lbs	kg	1,275 / 1,123	578 / 510	1,455 / 1,157	660 / 525	
Wheels, Chassis	3.1	Tires, drive / rear		Vulkollan® / solid pneumatic		super elastic (SE)			
	3.2	Tire size, drive		in	mm	9.1 x 3.0	230 x 77	12.2 x 4.1	310 x 105
	3.3	Tire size, rear		in	mm	9.8 x 3.1	250 x 80	11.9 x 3.3	301 x 85
	3.5	Wheels – number, drive / rear		1 / 2		1 / 2			
	3.7	Tread width, rear	b ₁₁	in	mm	26.8	680	26.8	680
Dimensions	4.8	Step height	h ₇	in	mm	4.9	125	7.2	182
	4.9	Steering wheel height in drive position	h ₁₄	in	mm	54.1	1,374	57.1 ¹⁾	1,450 ¹⁾
	4.12	Tow hitch (coupling) height	h ₁₀	in	mm	6.2 ⁵⁾	158 ⁵⁾	6.2 ⁵⁾	158 ⁵⁾
	4.19	Overall length	l ₁	in	mm	59.8	1,518	65.3 ²⁾	1,659 ²⁾
	4.21	Overall width	b ₁	in	mm	31.9	810	31.9	810
	4.32	Ground clearance, center of wheelbase	m ₂	in	mm	2.0	50	3.9	100
4.35	Turning radius	Wa	in	mm	54.6	1,388	57.9	1,470	
Performance	5.1	Travel speed, loaded / unloaded		mph	kph	5.0 / 7.8 ³⁾	8.0 / 12.5 ³⁾	5.0 / 7.8 ³⁾	8.0 / 12.5 ³⁾
	5.5	Drawbar pull		lbs	N	225 ⁴⁾	1,000 ⁴⁾	178 ⁴⁾	800 ⁴⁾
	5.6	Maximum drawbar pull		lbs	N	832	3,700	585 ³⁾	2,600 ³⁾
	5.7	Gradeability, loaded / unloaded		%		– ³⁾	– ³⁾	– ³⁾	– ³⁾
	5.8	Maximum gradeability, loaded / unloaded		%		– ³⁾	– ³⁾	– ³⁾	– ³⁾
	5.10	Service brake				regenerative	regenerative	regenerative	regenerative
Electrical	6.1	Drive motor, rating S ₂ 60 minutes		hp	kW	3.8	2.8	3.8	2.8
	6.4	Battery voltage		V		24		24	
		Battery, nominal capacity		Ah		620		620	
	6.5	Battery weight (minimum, maximum)		lbs	kg	816 / 1,500	370 / 680	816 / 1,500	370 / 680
Other	8.1	Type of drive control			AC speedCONTROL		AC speedCONTROL		
	8.4	Sound level at driver's ear		dB (A)	66		66		

- 1) jetPILOT (steer wheel) height.
- 2) Total length without tow hitch, as different tow hitch types (lengths) are available.
- 3) See diagram.
- 4) Nominal tractive power.
- 5) Other coupling heights available.



This specification sheet only provides technical values for the standard truck. Non-standard tires, different masts, additional equipment, etc., could produce other values. Rights reserved for technical changes and improvements.

The Jungheinrich Advantage



jetPILOT steering wheel



Backrest with folding seat (optional)



Easy entry and exit



Custom tow hitches available (optional)

Innovative AC technology

Jungheinrich AC motors provide increased efficiency and reduced operating costs. The benefits:

- Outstanding efficiency due to excellent energy management.
- Powerful acceleration.
- Quick directional changes without hesitation.
- No carbon brushes to replace – for a nearly maintenance-free drive motor.

Controlled travel

The electronic speedCONTROL, an impulse controller, and curveCONTROL, for automatic speed reduction when turning, work together to facilitate controlled, smooth travel and provide adjustable drive characteristics for most applications.

- The requested travel speed is maintained on both upward / downward grades.
- Three pre-set, adjustable travel programs allow for customization to suit most applications.
- Regenerative braking with energy reclamation during deceleration.
- curveCONTROL greatly enhances control of the truck during operation.

Informed operation

- Three color LED battery discharge indicator (BDI) is standard (EZS C40NA).
- Optional "CanDis" BDI with 10-bar visual charge indicator, hour-meter and service code display (EZS C40NA).
- Optional keypad allows for secure truck activation via PIN and includes three pre-set travel programs.

Rugged construction for the toughest applications

- Chassis made of high-quality 0.31 inch thick steel plate.
- Extra high bumper on front chassis helps protect the motor compartment from possible impact damage.

Optimum ergonomics

The ergonomic features and options available on the EZS series will help keep operators comfortable and productive throughout the day.

- Suspended, stand-on platform with low step height for frequent entry and exit.
- Padded backrest with grab handle and knee pad in operator compartment.
- Short travel distance for the operator from the driving position to the hitch or load.
- Full-color 2" LCD display (EZS 350NA)
- Electric steering and programmable curveCONTROL with jetPILOT steering wheel for steady control.
- Solid pneumatic and super elastic (SE) rear tires provide smoother travel and reduced vibrations for ease of use and comfort.

Long operating times

- The combination of energy-saving Jungheinrich AC technology and battery capacities up to 750 Ah provide longer operating times for increased productivity.

Available options for EZS 350NA

A wide range of options to fit your specific application needs, including:

- LED daytime running lights
- Floor spot warning light
- Selection of backrests
- Variety of workstation options
- Knee padding on battery lid
- Multiple couplers and hitches
- Forward / reverse pedestrian touch control.
- Extended backrest with adjustable flip-down seat

Available options for EZS C40NA

A wide range of options to fit your specific application needs, including:

- Multiple couplers and hitches
- Forward / reverse pedestrian touch control.
- Extended backrest with flip-down seat (adjustable to three different height positions).
- Backrest-mounted strobe light.

Built in compliance with ANSI/ITSDF B56.9 design specifications for Type E industrial trucks with Type EO battery.

Parts when you need them

Jungheinrich's Parts Fast or Parts Free Guarantee ensures next-business-day delivery by 5:00 PM of all Jungheinrich parts in the United States, or they're free, including freight. For customers in Canada and Mexico, the guarantee ensures shipping of parts within 24 hours from the time the order was placed by the dealer. See your local Jungheinrich dealer for program details.

* Programs may be subject to change without notice and may vary by region. Please ask your local Jungheinrich dealer for complete terms and conditions.