

Jungheinrich® proprietary  
AC technology

Maximum performance and  
low energy consumption

Narrow tractor design for block  
stacking

Spacious operator compartment

Compact for maximum  
maneuverability

Microprocessor-controlled,  
fully-programmable AC electronic  
control



## EFG 110k – 115

Electric Three-Wheel Counterbalanced Truck (2,000–3,000 lbs.)

Rear-wheel drive, a compact design, high performance and an ergonomic operator compartment – these are the strengths of the EFG 110k–115 electric forklift trucks.

### The advantages:

- Excellent performance in restricted spaces, greater maneuverability and superior operator comfort.
- The truck features a low step for a secure and comfortable entrance into the compartment. The adjustable steering column and a three-way adjustable, full-suspension seat offer customized settings for your operators. The compartment offers superior headroom with an overhead guard that is 82.3 inches high. A "container overhead guard" with a height of 77.6 inches is available as an option.
- Excellent visibility and ergonomically-positioned controls allow for precise handling. Hydraulic functions are activated by using the soloPILOT control (separate levers).
- The informative operator display highlights important lift truck data, including operating hours, battery state-of-charge, lift interrupt, error codes and warning displays. The system also stores all relevant service data.
- Low steering and lever operating forces and a familiar automotive pedal layout help create a productive operation. Enclosed AC motors enable smooth acceleration and make the EFG 110k–115 suitable for a variety of applications.

 **JUNGHEINRICH®**

# Technical data

|                 |   |  |   | Jungheinrich |                     | Jungheinrich        |                       |                     |                       |                 |
|-----------------|---|--|---|--------------|---------------------|---------------------|-----------------------|---------------------|-----------------------|-----------------|
|                 |   |  |   | EFG 110k     |                     | EFG 110             |                       |                     |                       |                 |
| Characteristics | 1.1                                     | Manufacturer (abbreviation)                        |   |              | Jungheinrich        |                     | Jungheinrich          |                     |                       |                 |
|                 | 1.2                                     | Manufacturer's type designation                    |   |              | EFG 110k            |                     | EFG 110               |                     |                       |                 |
|                 | 1.3                                     | Drive  |   |              | electric            |                     | electric              |                     |                       |                 |
|                 | 1.4                                     | Type of operation                                  |   |              | seated              |                     | seated                |                     |                       |                 |
|                 | 1.5                                     | Load capacity / rated load                         | Q   | lbs          | t                   | 1,920               | 1                     | 1,920               | 1                     |                 |
|                 | 1.6                                     | Load center distance                               | c   | in           | mm                  | 24.0                | 500                   | 24.0                | 500                   |                 |
|                 | 1.8                                     | Load distance, center of load axle to fork face    | x   | in           | mm                  | 13.0 <sup>1)</sup>  | 330 <sup>2)</sup>     | 13.0 <sup>1)</sup>  | 330 <sup>2)</sup>     |                 |
|                 | 1.9                                     | Wheelbase  | y   | in           | mm                  | 38.7                | 984                   | 40.9                | 1,038                 |                 |
|                 | Weights                                 | 2.1  | Service weight including battery (see line 6.5) |              |                     | lbs                 | kg                    | 5,490               | 2,490                 | 5,666           |
| 2.2             |   | Axle loading, loaded front / rear                  |   |              | lbs                 | kg                  | 6,482 / 1,213         | 2,940 / 550         | 6,493 / 1,378         | 2,945 / 625     |
| 2.3             |   | Axle loading, unloaded front / rear                |   |              | lbs                 | kg                  | 2,414 / 3,075         | 1,095 / 1,395       | 2,524 / 3,142         | 1,145 / 1,425   |
| Wheels, Chassis | 3.1                                     | Tires  |   |              | solid pneumatic     |                     | solid pneumatic       |                     |                       |                 |
|                 | 3.2                                     | Tire size, front                                   |   |              | 18 x 7-8            |                     | 18 x 7-8              |                     |                       |                 |
|                 | 3.3                                     | Tire size, rear                                    |   |              | 18 x 7-8            |                     | 18 x 7-8              |                     |                       |                 |
|                 | 3.5                                     | Wheels, number front / rear (x = driven wheels)    |   |              | 2 / 1x              |                     | 2 / 1x                |                     |                       |                 |
|                 | 3.6                                     | Track width, front                                 |   | in           | mm                  | 33.0                | 838                   | 33.0                | 838                   |                 |
|                 | 3.7                                     | Track width, rear                                  |   | in           | mm                  | 0                   | 0                     | 0                   | 0                     |                 |
|                 | Dimensions                              | 4.1  | Mast / fork carriage tilt, forward / backward   |              |                     | degrees             |                       | 5 / 6               |                       | 5 / 6           |
| 4.2             |   | Collapsed mast height                              | h <sub>1</sub>                                  | in           | mm                  | 79                  | 2,000                 | 79                  | 2,000                 |                 |
| 4.3             |   | Free-lift  | h <sub>2</sub>                                  | in           | mm                  | 5.9                 | 150                   | 5.9                 | 150                   |                 |
| 4.4             |   | Lift height  | h <sub>3</sub>                                  | in           | mm                  | 118                 | 3,000                 | 118                 | 3,000                 |                 |
| 4.5             |   | Extended mast height                               | h <sub>4</sub>                                  | in           | mm                  | 166                 | 4,216                 | 166                 | 4,216                 |                 |
| 4.7             |   | Overhead guard height                              | h <sub>6</sub>                                  | in           | mm                  | 82.3                | 2,090                 | 82.3                | 2,090                 |                 |
| 4.8             |   | Seat height / platform height                      | h <sub>7</sub>                                  | in           | mm                  | 35.4                | 900                   | 35.4                | 900                   |                 |
| 4.12            |   | Tow hitch height                                   | h <sub>10</sub>                                 | in           | mm                  | 25.0                | 635                   | 25.0                | 635                   |                 |
| 4.19            |   | Overall length                                     | l <sub>1</sub>                                  | in           | mm                  | 107.0               | 2,719                 | 109.2               | 2,773                 |                 |
| 4.20            |   | Length to fork face (headlength)                   | l <sub>2</sub>                                  | in           | mm                  | 61.8                | 1,569                 | 63.9                | 1,623                 |                 |
| 4.21            |   | Overall width                                      | b <sub>1</sub>                                  | in           | mm                  | 39.0 <sup>3)</sup>  | 990 <sup>3)</sup>     | 39.0 <sup>3)</sup>  | 990 <sup>3)</sup>     |                 |
| 4.22            |   | Fork dimensions                                    | s / e / l                                       | in           | mm                  | 1.4 x 3.9 x 45.3    | 35 x 100 x 1,150      | 1.4 x 3.9 x 45.3    | 35 x 100 x 1,150      |                 |
| 4.23            |   | Fork carriage ITA class 2                          |   |              |                     | 2A                  |                       | 2A                  |                       |                 |
| 4.24            |   | Fork carriage width                                |   | in           | mm                  | 37.4                | 950                   | 37.4                | 950                   |                 |
| 4.31            |   | Ground clearance, loaded, under mast               | m <sub>1</sub>                                  | in           | mm                  | 3.5                 | 90                    | 3.5                 | 90                    |                 |
| 4.32            |   | Ground clearance, center of wheelbase              | m <sub>2</sub>                                  | in           | mm                  | 3.9                 | 100                   | 3.9                 | 100                   |                 |
| 4.33            | Aisle width for pallets 48 x 40 (L x W) |  | in  | mm           | 109.8 <sup>2)</sup> | 2,789 <sup>2)</sup> | 111.9 <sup>2)</sup>   | 2,842 <sup>2)</sup> |                       |                 |
| 4.35            | Turning radius                          |  | in  | mm           | 48.8                | 1,239               | 50.9                  | 1,293               |                       |                 |
| 4.36            | Internal turning radius                 | Wa   | in  | mm           | 0                   | 0                   | 0                     | 0                   |                       |                 |
| Performance     | 5.1                                     | Travel speed, loaded / unloaded                    |   |              | mph                 | km/h                | 7.5 / 7.8             | 12 / 12.5           | 7.5 / 7.8             | 12 / 12.5       |
|                 | 5.2                                     | Lift speed, loaded / unloaded                      |   |              | ft/min              | m/s                 | 55.1 / 98.4           | 0.28 / 0.50         | 57.1 / 98.4           | 0.29 / 0.50     |
|                 | 5.3                                     | Lowering speed, loaded / unloaded                  |   |              | ft/min              | m/s                 | 114.2 / 118.1         | 0.58 / 0.60         | 114.2 / 118.1         | 0.58 / 0.60     |
|                 | 5.5                                     | Drawbar pull, loaded / unloaded                    |   |              | lbs                 | N                   | 259 / 281             | 1,150 / 1,250       | 259 / 281             | 1,150 / 1,250   |
|                 | 5.6                                     | Maximum drawbar pull, loaded / unloaded, 60 min.   |   |              | lbs                 | N                   | 989 / 1,011           | 4,400 / 4,500       | 989 / 1,011           | 4,400 / 4,500   |
|                 | 5.7                                     | Gradeability, loaded / unloaded, 30 min.           |   |              | %                   |                     | 8.5 / 12              |                     | 8 / 11.5              |                 |
|                 | 5.8                                     | Maximum gradeability, loaded / unloaded, 5 min.    |   |              | %                   |                     | 13 / 18               |                     | 12.5 / 17.5           |                 |
|                 | 5.9                                     | Acceleration time, loaded / unloaded, 10 meters    |   |              | s                   |                     | 5.1 / 4.6             |                     | 5.1 / 4.6             |                 |
|                 | 5.10                                    | Service brake                                      |   |              |                     |                     | hydraulic             |                     | hydraulic             |                 |
|                 | Motors                                  | 6.1  | Drive motor rating S <sub>2</sub> 60 min.       |              |                     | HP                  | kW                    | 5.4                 | 4.0                   | 5.4             |
| 6.2             |   | Lift motor rating at S <sub>3</sub> 20%            |   |              | HP                  | kW                  | 8.0                   | 6.0                 | 8.0                   | 6.0             |
| 6.4             |   | Battery voltage, nominal capacity (at 6 hour rate) |   |              | V                   | Ah                  | 24                    | 500                 | 24                    | 625             |
| 6.5             |   | Battery weight (minimum / maximum)                 |   |              | lbs                 | kg                  | 779 / 886             | 353 / 402           | 932 / 1,060           | 423 / 481       |
|                 |   | Maximum battery compartment dimensions             |   |              | in                  | mm                  | 10.75 / 32.68 / 24.69 | 273 / 830 / 627     | 12.87 / 32.68 / 24.69 | 327 / 830 / 627 |
| Other           | 8.1                                     | Type of drive control                              |   |              |                     |                     | Impulse / AC          |                     | Impulse / AC          |                 |
|                 | 8.2                                     | Operating pressure for attachments                 |   |              | psi                 | bar                 | 2,321                 | 160                 | 2,321                 | 160             |
|                 | 8.3                                     | Flowrate for attachments                           |   |              | gpm                 | l/min               | 3.7                   | 14                  | 3.7                   | 14              |
|                 | 8.4                                     | Sound level at the driver's ear                    |   |              | dB(A)               |                     | 63                    |                     | 63                    |                 |

1) 13.3 inches (337mm) with DZ (three-stage) mast; with integrated sideshift: x = 14.3 inches (362mm) (14.6 inches (369mm) with DZ mast); with sideshift attachment: x = 15.4 inches (390mm) (15.7 inches (397mm) with DZ mast).

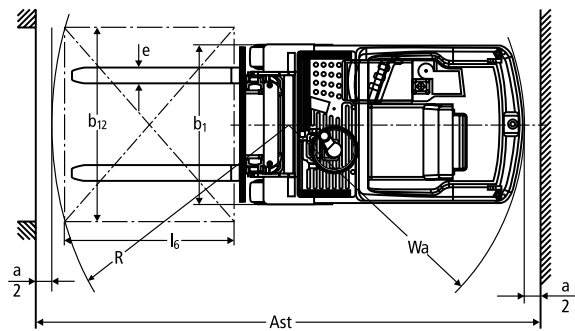
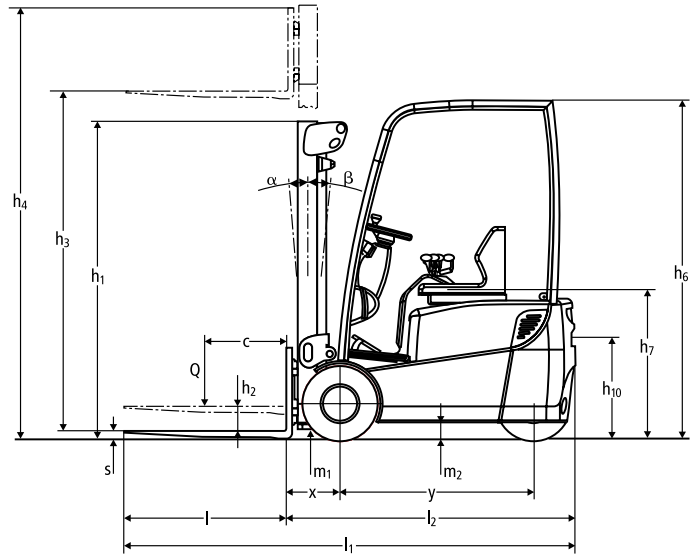
2) Without an 8 inch (200mm) maneuvering space; data is for ground storage.

3) 41.8 inches (1,062mm) for masts with h<sub>3</sub> (MFH) dimension of 177 inches (4,500mm) or higher.

This specification sheet only provides technical values for the standard truck. Non-standard tires, different masts, additional equipment, etc., could produce other values. Rights reserved for technical changes and improvements.

# EFG 110k-115

| Jungheinrich<br><b>EFG 113</b><br>electric<br>seated |                     | Jungheinrich<br><b>EFG 115</b><br>electric<br>seated |                     |
|--|---------------------|--|---------------------|
| 2,400  | 1.25                | 2,880  | 1.5                 |
| 24.0   | 500                 | 24.0   | 500                 |
| 13.0 <sup>1)</sup>                                   | 330 <sup>1)</sup>   | 13.0 <sup>1)</sup>                                   | 330 <sup>1)</sup>   |
| 45.1   | 1,146               | 47.2   | 1,200               |
| 6,085  | 2,760               | 6,327  | 2,870               |
| 7,474 / 1,367  | 3,390 / 620         | 8,389 / 1,246  | 3,805 / 565         |
| 2,723 / 3,362  | 1,235 / 1,525       | 2,800 / 3,527  | 1,270 / 1,600       |
| solid pneumatic<br>18 x 7-8                          |                     | solid pneumatic<br>18 x 7-8                          |                     |
| 2 / 1x   |                     | 2 / 1x   |                     |
| 33.0   | 838                 | 33.0   | 838                 |
| 0  | 0                   | 0  | 0                   |
| 5 / 6  |                     | 5 / 6  |                     |
| 79   | 2,000               | 79   | 2,000               |
| 5.9  | 150                 | 5.9  | 150                 |
| 118  | 3,000               | 118  | 3,000               |
| 166  | 4,216               | 166  | 4,216               |
| 82.3   | 2,090               | 82.3   | 2,090               |
| 35.4   | 900                 | 35.4   | 900                 |
| 25.0   | 635                 | 25.0   | 635                 |
| 113.4  | 2,881               | 115.6  | 2,935               |
| 68.1   | 1,731               | 70.3   | 1,785               |
| 39.0 <sup>3)</sup>                                   | 990 <sup>3)</sup>   | 39.0 <sup>3)</sup>                                   | 990 <sup>3)</sup>   |
| 1.4 x 3.9 x 45.3                                     | 35 x 100 x 1,150    | 1.4 x 3.9 x 45.3                                     | 35 x 100 x 1,150    |
| 2A   |                     | 2A   |                     |
| 37.4   | 950                 | 37.4   | 950                 |
| 3.5  | 90                  | 3.5  | 90                  |
| 3.9  | 100                 | 3.9  | 100                 |
| 116.2 <sup>2)</sup>                                  | 2,951 <sup>2)</sup> | 118.3 <sup>2)</sup>                                  | 3,005 <sup>2)</sup> |
| 55.2   | 1,401               | 57.3   | 1,455               |
| 0  | 0                   | 0  | 0                   |
| 7.5 / 7.8  | 12 / 12.5           | 7.5 / 7.8  | 12 / 12.5           |
| 49.2 / 98.4  | 0.25 / 0.50         | 47.2 / 98.4  | 0.24 / 0.5          |
| 114.2 / 118.1  | 0.58 / 0.60         | 114.2 / 118.1  | 0.58 / 0.60         |
| 247 / 281  | 1,100 / 1,250       | 237 / 281  | 1,055 / 1,250       |
| 984 / 1,011  | 4,375 / 4,500       | 978 / 1,011  | 4,350 / 4,500       |
| 7 / 11   |                     | 6.5 / 10.5   |                     |
| 11 / 16.5  |                     | 10 / 16  |                     |
| 5.4 / 4.7  |                     | 5.6 / 4.8  |                     |
| hydraulic  |                     | hydraulic  |                     |
| 5.4  | 4.0                 | 5.4  | 4.0                 |
| 8.0  | 6.0                 | 8.0  | 6.0                 |
| 24   | 875                 | 24   | 1,000               |
| 1,257 / 1,429  | 570 / 648           | 1,416 / 1,610  | 642 / 730           |
| 1713 / 32.68 / 24.69                                 | 435 / 830 / 627     | 19.25 / 32.68 / 24.69                                | 489 / 830 / 627     |
| Impulse / AC   |                     | Impulse / AC   |                     |
| 2,683  | 185                 | 3,046  | 210                 |
| 3.7  | 14                  | 3.7  | 14                  |
| 63   |                     | 63   |                     |



# The Jungheinrich Advantage

## High productivity

Exceptional productivity due to a comfortable operator compartment, high performance characteristics and low life-cycle costs.

## High residual capacity

Due to excellent stability, lift heights up to 171 inches on the EFG 115 and 188 inches on the EFG 110k / 110 / 113 can be achieved without reducing nominal capacity.

## Performance-enhancing workplace

- Standard high overhead guard for superior headroom.
- Clear view: mast and fork carriage allow for excellent visibility to the forks.
- Comfortable, low-fatigue operation of travel direction and hydraulics by soloPILOT controls.
- Hydraulic power steering is precise and low-effort (5.2 turns lock-to-lock).

## Significantly-reduced maintenance

- Single-piece metal cover ensures quick and easy access to the battery compartment.
- Low-maintenance AC motors.
- Fully-enclosed motors and electronic components comply with IP 54, protecting against dust, dirt and moisture ingress.
- Prolonged service intervals, up to 500 operating hours.
- Hydraulic pinion gear steering eliminates the need for chains.

## Innovative drive and steering technology

- Programmable performance parameters ensure maximum flexibility.
- Five drive programs can be individually selected and adjusted (optional).
- curveCONTROL reduces travel speed when cornering.



Drive and lift motor with AC technology

## Innovative motor technology

With AC technology, the drive and lift motors offer excellent heat management.

## Jungheinrich proprietary AC technology motors

- Fully enclosed, brushless AC motors are the key components of the EFG 1 Series low-maintenance drive unit. They are resistant to dust, dirt and moisture.
- Temperature control protects the motors from overheating by adjusting the performance.

## Economic driving and lifting

- AC technology ensures exceptional performance.
- Regenerative braking system.
- No motor fans required.
- Extremely energy efficient resulting in more battery run time per charge.
- Progressive lowering brake valve allows for a consistent lowering speed with and without a load.



soloPILOT

## soloPILOT

- soloPILOT (standard equipment) combines the direction switch, horn and the lifting/lowering function in one control lever.
- Additional functions, such as forward/backward tilting, sideshifting (optional) and auxiliary hydraulics (optional), can be operated with additional levers placed directly next to the lift/lower lever.

## Parts when you need them

Jungheinrich's Parts Fast or Parts Free Guarantee ensures next-business-day delivery by 5:00 p.m. of all Jungheinrich parts in the United States, or they're free, including freight. For customers in Canada and Mexico, the guarantee ensures shipping of parts within 24 hours from the time the order was placed by the dealer. See your local Jungheinrich dealer for program details.

\* Programs may be subject to change without notice and may vary by region. Please ask your local Jungheinrich dealer for complete terms and conditions.