

24-Volt, 3-phase AC technology for high performance and excellent reliability

Ergonomic design and controls help ensure greater productivity throughout the entire shift

Features and options for a variety of applications, including order picking, long distance transporting and loading / unloading trailers



## ECR 327 / 336

### Electric End Rider Pallet Truck (6,000; 8,000 lbs.)

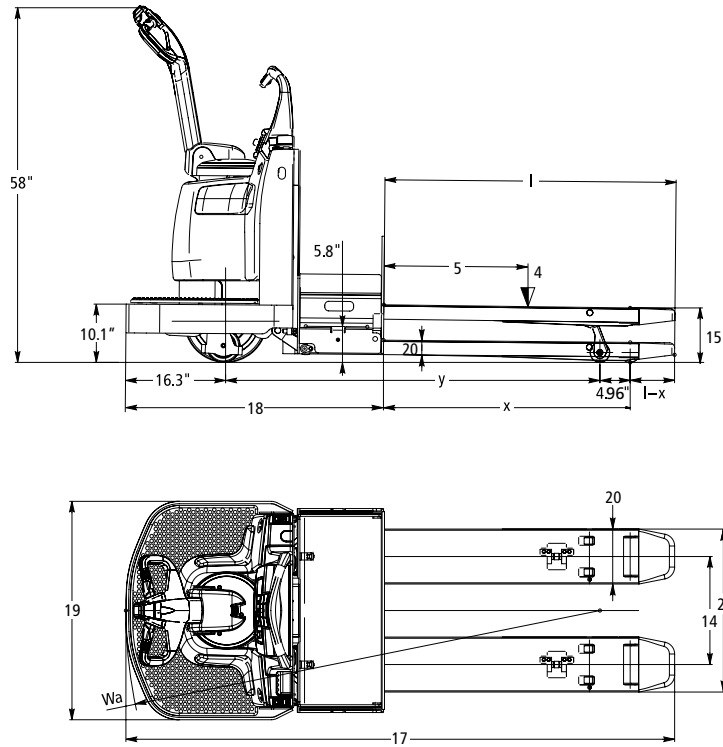
The Jungheinrich® ECR 327 / 336 electric end rider pallet truck was designed for productivity – helping you to get more done in less time.

#### The key advantages:

- **Quick acceleration** – The ECR Series has exceptional acceleration. Not only can operators rapidly obtain maximum speed, but can do so with smooth and precise control due to the proprietary controller and optimal programming.
- **Speed** – The ECR is the fastest end rider in the industry, achieving speeds up to 9.3 mph.
- **Smooth directional changes** – The incredibly responsive regenerative braking system provides a seamless transition from one direction to another, while maintaining load stability. This feature can be particularly valuable when engaging in frequent directional changes which can lead to tremendous gains in productivity.
- **Strong gradeability performance on inclines** – The ECR Series achieves high levels of performance and control on slopes. This is accomplished through our proprietary Jungheinrich-built motor and high-output controller which were designed to meet the application demands of the ECR. This level of performance supports your operators in moving more pallets in less time.

**JUNGHEINRICH®**

# ECR 327 / 336



		Standard Fork Tip					Extended Fork Tip				
		in	in	in	in	in	in	in	in	in	in
Nominal fork length		36.0	42.0	48.0	60.0	84.0	93.0	96.0	103.0	144.0	
Actual fork length	l	35.7	41.7	47.7	59.6	83.7	92.7	96.7	102.7	143.5	
Overall length		78.0	84.0	90.0	102.0	126.1	135.1	138.1	145.0	185.9	
Wheelbase (raised)	y	49.4	55.4	61.5	73.4	81.4	81.4	81.4	81.4	109.2	
Load wheel distance	x	28.3	34.3	40.3	52.3	60.3	60.3	60.3	60.3	88.1	
Fork tip length	l-x	7.3	7.3	7.3	7.3	23.4	32.4	35.4	42.4	55.4	
Grade clearance	%	37.8	33.5	30.1	25.0	22.5	22.5	22.5	22.5	16.7	
Turning radius (raised)	$W_a$	66.1	72.0	78.0	89.9	97.9	97.9	97.9	97.9	125.7	
Fork width		9.0	9.0	9.0	9.0	9.8	9.8	9.8	9.8	9.8	

# Technical data

as of: 11/2013

				ECR 327 <sup>1)</sup>		ECR 336 <sup>1)</sup>		
Characteristics	1	Model						
	2	Drive		electric		electric		
	3	Type of operation		walkie / ride-on		walkie / ride-on		
Weights	4	Load capacity / rated load	lbs	kg	6,000	2,700	8,000	3,600
	5	Load center distance	in	mm	24	600	24	600
	6	Wheelbase (forks raised)	in	mm	61.5 <sup>2)</sup>	1,560 <sup>2)</sup>	81.5 <sup>2)</sup>	2,068 <sup>2)</sup>
Weights	7	Service weight including maximum weight battery (see line 33)	lbs	kg	2,730	1,240	3,030	1,375
	8	Axle loading, loaded front / rear including maximum battery weight	lbs	kg	3,100 / 5,630	1,420 / 2,520	2,795 / 8,235	1,300 / 3,675
	9	Axle loading unloaded front / rear including maximum battery weight	lbs	kg	2,020 / 710	918 / 322	2,115 / 915	960 / 415
Wheels, Chassis	10	Tires			PU (polyurethane)		PU (polyurethane)	
	11	Tire size, drive tire	in	mm	12.0 x 5.0	305 x 127	12.0 x 5.0	305 x 127
	12	Tire size, load wheels (x2)	in	mm	3.27 x 6.3	83 x 160	3.27 x 6.3	83 x 160
	13	Casters (dimensions) (x2)	in	mm	4.0 x 2.5	101 x 63	4.0 x 2.5	101 x 63
Dimensions	14	Track width, rear	in	mm	17.8	450	17.8	150
	15	Maximum lift height	in	mm	8.7	222	8.7	222
	16	Lowered fork height	in	mm	3.35	85	3.35	85
	17	Overall length	in	mm	90	2,287	138	3,507
	18	Length to fork face (headlength)	in	mm	42.3	1,076	42.3	1,076
	19	Overall width	in	mm	35.8	910	35.8	910
	20	Fork dimensions	in	mm	2.4 / 9.0 / 47.7	60 / 229 / 1,211	2.4 / 9.8 / 95.7	60 / 248 / 2,431
	21	Overall width across forks	in	mm	26.8	679	27.5	698.2
	22	Ground clearance, center of wheelbase	in	mm	0.98	25.2	1.07	27.2
	23	Turning radius	in	mm	78.0 <sup>2)</sup>	1,981 <sup>2)</sup>	97.9 <sup>2)</sup>	2,487 <sup>2)</sup>
Performance	24	Travel speed, loaded / unloaded	mph	kph	7.1 / 9.3	11.4 / 15	6.2 / 9.3	10 / 15
	25	Lift speed, loaded / unloaded	ft / min	m / s	8.0 / 9.8	0.040 / 0.050	7.5 / 9.8	0.038 / 0.050
	26	Gradeability, loaded / unloaded			13 / 25		10 / 25	
	27	Service brake			regenerative		regenerative	
Motors	28	Parking brake			electromagnetic		electromagnetic	
	29	Drive motor rating 60 min.	HP	kW	4.3	3.2	4.3	3.2
	30	Lift motor rating at 10%	HP	kW	2.0	1.5	2.0	1.5
	31	Battery voltage, nominal capacity (at 6 hour rate)	V / Ah		24 / 840		24 / 840	
Motors	32	Battery weight (minimum)	lbs	kg	970	440	970	440
	33	Battery weight (maximum)	lbs	kg	1,430	650	1,430	650
Other	34	Type of drive control			3-phase AC drive control		3-phase AC drive control	
	35	Steering			mechanical		mechanical	

1) ECR 327 with 27 x 48 inch forks and standard fork tip; ECR 336 with 27 x 96 inch forks and extended fork tip  
 2) Load section lowered: add 4.96 inches

This specification sheet only provides technical values for the standard truck. Non-standard tires, different masts, additional equipment, etc., could produce other values. Rights reserved for technical changes and improvements.

# The Jungheinrich Advantage

## Electromagnetic brake

Unlike traditional mechanical brakes which require regular maintenance, the ECR Series electromagnetic brake requires limited servicing.

## Advanced regenerative braking

At Jungheinrich, we took our brake design one step further. The regenerative braking system engages first, slowing the truck during coasting, plugging and braking, before the brake is ever applied – further protecting it from wear.

## Adjustable casters

Castors are one of the most frequently serviced parts on any end rider. But, the ECR allows for automatic caster adjustment, without having to raise the truck, saving time and money.



Optional ProTracLink caster

## Simplified pull rod adjustment

Unlike traditional designs, the ECR utilizes jam nuts to adjust the pull rods – not only allowing for simplified (one tool) adjustment – but also requiring less maintenance over time.

## Optional Electric Power Steering

For operators driving for extended periods of time, the optional electric power steering feature helps reduce the amount of effort needed for steering.

## Thickest forks in the industry

Our formed forks are the thickest in the industry. Combined with cast steel fork tips, they are designed to withstand abusive environments.



Forks

## Harsh and corrosive environments

For those extra harsh environments, a corrosion protection package is available which includes the following galvanized components:

- chassis
- pull rods
- load wheel linkage
- lift linkage
- forks

## Motor cover

Steel is not always the best material for the job. The motor cover is made of a heavy-duty Thermoplastic PolyOlefin (TPO) plastic which is significantly lighter than steel, resulting in easier removal during maintenance. The cover is also less prone to cracking, and it will not dent upon contact. More flexible than steel, it also helps to provide greater operator comfort.

## More surface area

The operator platform has a spacious surface area, giving your operators the ability to comfortably adjust their position throughout the day. In addition, the “foot alcove” allows for a wider stance and helps to ensure your operators’ feet are fully on the platform.



Operator platform

## Parts when you need them

Jungheinrich’s Parts Fast or Parts Free Guarantee ensures next-business-day delivery by 5:00 PM of all Jungheinrich parts in the United States, or they’re free, including freight. For customers in Canada and Mexico, the guarantee ensures shipping of parts within 24 hours from the time the order was placed by the dealer. See your local Jungheinrich dealer for program details.

\* Programs may be subject to change without notice and may vary by region. Please ask your local Jungheinrich dealer for complete terms and conditions.