

Side-seated driving position to enhance driver performance

Ideal for loading and unloading trailers and for load transportation over longer distances

Electric steering for optimized control

Rapid acceleration for high productivity



## ESE 220 / 320

### Sit-on low-lift pallet truck (4,400 lbs.)

ESE 220 / 320 electric sit-on low-lift pallet truck are ideal for horizontal transport over medium to long distances. With their side-seated operator position, they offer excellent visibility and a comfortable working environment. This is a great advantage, especially where frequent changes of direction are required.

The ESE 220, with a 32.3-inch truck width, and the ESE 320, with a 36.7-inch truck width, are pure side-seated trucks.

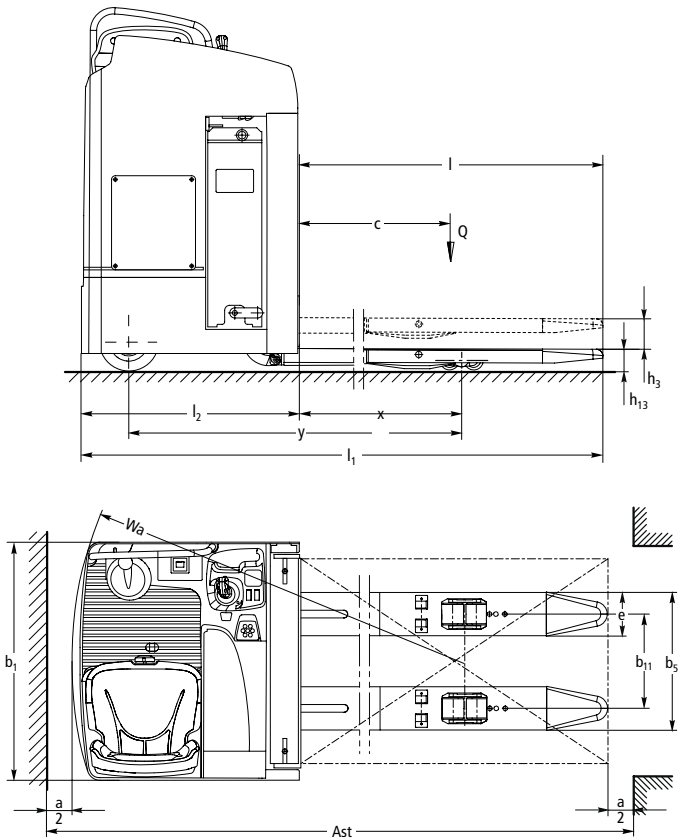
Both models are equipped with an adjustable footwell height to ensure a relaxed working position for operators of all sizes.

All pallet trucks are fitted with powerful 24-volt drive motors for quick acceleration and high top speeds. In addition, they offer the advantages of a sturdy design – the chassis and load-bearing sections are designed for capacities up to 4,400 lbs.

#### Key advantages:

- High driving speeds and acceleration.
- Particularly sturdy chassis for high operational demands.
- Display with steering position indicator.
- Electric steering for easy maneuvering.
- Excellent energy management for low operating costs.

# ESE 220 / 320



					Jungheinrich		Jungheinrich				
<b>Characteristics</b>	1.1	Manufacturer			Jungheinrich		Jungheinrich				
	1.2	Manufacturer's type designation			ESE 220		ESE 320				
	1.3	Drive			electric		electric				
	1.4	Operator type			Seated end control rider		Seated end control rider				
	1.5	Load capacity / rated load	Q	lb	t	4,400	2	4,400	2		
	1.6	Load center distance	c	in	mm	24	600	24	600		
1.8	Load distance, center of drive axle to fork	x	in	mm	34.2	868	34.2	868			
1.9	Wheelbase	y	in	mm	60.5 <sup>1)</sup>	1,535 <sup>1)</sup>	60.7 <sup>2)</sup>	1,541 <sup>2)</sup>			
<b>Weights</b>	2.1	Service weight with 840 lb. battery			lb	kg	2,350	1,066	2,380	1,080	
	2.2	Axle loading, loaded front / rear			lb	kg	4,210 / 2,540	1,906 / 1,150	4,180 / 2,600	1,900 / 1,180	
	2.3	Axle loading, unloaded front / rear			lb	kg	570 / 1,780	258 / 808	580 / 1,800	264 / 816	
<b>Wheels, Chassis</b>	3.1	Tires			Vulkollan®		Vulkollan®				
	3.2	Tire size, front		in	mm	9.1 x 3.1	230 x 78	9.1 x 3.1	230 x 78		
	3.3	Tire size, rear		in	mm	3.3 x 3.3	85 x 85	3.3 x 3.3	85 x 85		
	3.4	Caster wheel size		in	mm	5.5 x 2.1	140 x 54	5.5 x 2.1	140 x 54		
	3.5	Wheels, number front / rear (x=driven wheels)			2+1x/4		2+1x/4				
	3.6	Tread width, front		in	mm	21.5	544	25.4	645		
	3.7	Tread width, rear	b <sub>11</sub>	in	mm	15.2	385	15.2	385		
<b>Basic Dimensions</b>	4.4	Maximum fork height			h <sub>3</sub>	in	mm	8.4	215	8.4	215
	4.15	Height of forks, lowered			h <sub>15</sub>	in	mm	3.54	90	3.54	90
	4.19	Overall length (1,140 mm fork length)			l <sub>1</sub>	in	m	83.2	2,113	83.4	2,118
	4.20	Length to face of forks			l <sub>2</sub>	in	mm	33.7	854	33.9	859
	4.21	Overall width				in	mm	32.3	820	36.7	930
	4.22	Fork dimensions				in	mm	2.4/7.3/45.3	60/185/1,150	2.4/7.3/45.3	60/185/1,150
	4.25	Overall width across forks			b <sub>5</sub>	in	mm	22.5	570	22.5	570
	4.32	Ground clearance, center of wheelbase				in	mm	1	25	1	25
	4.34	Working aisle width (48" x 40" pallet)			Ast	in	mm	86.5	2,197	87.2	2,215
4.35	Turning radius			Wa	in	mm	65.6	1,665	66.3	1,683	
<b>Performance</b>	5.1	Travel speed, loaded / unloaded			mph	kph	6.2 / 7.7	10.0 / 12.5	6.2 / 7.7	10.0 / 12.5	
	5.2	Lift speed, loaded / unloaded			ft/min	m/s	11.8 / 13.8	0.06 / 0.07	11.8 / 13.8	0.06 / 0.07	
	5.3	Lowering speed, loaded / unloaded			ft/min	m/s	11.8 / 9.8	0.06 / 0.05	11.8 / 9.8	0.06 / 0.05	
	5.8	Maximum gradeability, loaded / unloaded			%		8 / 13		8 / 13		
	5.10	Service brake					electromagnetic		electromagnetic		
<b>Electrical</b>	6.1	Drive motor rating S2 60 min.			hp	kW	3.7	2.8	3.7	2.8	
	6.2	Lift motor rating at S3 15%			hp	kW	2	1.5	2	1.5	
	6.4	Battery voltage, nominal Ah capacity			V	Ah	24	465	24	465	
	6.5	Battery weight, minimum / maximum			lb	kg	773 / 857	351 / 389	773 / 857	351 / 389	
	<b>Other</b>	8.1	Type of drive control					AC SpeedControl		AC SpeedControl	
1) load section lowered: +3.54" (90 mm) 2) load section lowered: +3.74" (95 mm)											

# The Jungheinrich Advantage

## Innovative 3-phase AC technology

Jungheinrich® technology allows for higher performance and reduced operating costs as well as these key advantages:

- High-efficiency levels with excellent energy management.
- Powerful acceleration.
- Quick travel direction changes.
- No carbon brushes – maintenance-free drive motor.



Comfortable seated position with height-adjustable footwell

## Travel comfortably

Speed management by SpeedControl, which helps ensure maximum control of speed in all situations.

- Roll-back protection on ramps.
- Constant travel speed on ramps / descents.
- Energy recovery by regenerative braking.
- Smooth stepless drive characteristics.

## Productivity-enhancing ergonomics

The side-seated position helps provide the operator with enhanced visibility. An operator presence switch in the footwell helps ensure maximum truck control.

- Comfortable seat with adjustment for body weight.
- Upholstered armrest.
- Padded knee area.



All drive and lift functions are controlled by the multifunction joystick.

## Easy operation and excellent all-around visibility

The central position of the driver within the truck's contours means the driver has optimum all-around visibility. The easy-to-operate electric steering and the easily accessible controls provide additional comfort.

- Drive and lift control by multifunction joystick.

## Rugged and easy to service

- Easy access to the controller and electronics.
- Sturdy enclosed chassis.

## Optional equipment

- Load wheel options.
- Cold storage modifications.
- PIN code access.
- Load backrest.
- Clipboard.
- Shrink wrap holder.

## Parts when you need them

Jungheinrich's Parts Fast or Parts Free Guarantee ensures next-business-day delivery by 5:00 PM of all Jungheinrich parts in the United States, or they're free, including freight. For customers in Canada and Mexico, the guarantee ensures shipping of parts within 24 hours from the time the order was placed by the dealer. See your local Jungheinrich dealer for program details.

\* Programs may be subject to change without notice and may vary by region. Please ask your local Jungheinrich dealer for complete terms and conditions.