

DESIGNED TO PERFORM IN VERY CONFINED SPACES.

# PWR27M-PWR36M

6,000 / 8,000 LB CAPACITY  
END RIDER PALLET JACKS

## 1. Value

### Minimizing Downtime

When a truck is down, it is costing you money in many ways. Brushless AC motors and easily accessible components simplify maintenance and lessen the costs associated with it.

### Safeguarding

IP65-rated components, thermal protection and an enclosed frame design help to prevent damage to your investment whether it be from dust, moisture, heat or debris.



## 2. Productivity

### Maneuverability

The 190° steering arc along with intuitive controls in the tiller head allows for precision in tight spaces, where operators need it the most.

### Energy Efficiency

Innovative AC motor technology and regenerative braking allow for the reservation of energy during operation, providing longer run times by using less energy per cycle.

## 3. Intuitive

### Control

The tiller head design and rotary thumb travel speed controls make the truck easy to manage for operators of varying levels of skill and experience.

### Operate With Confidence

While the multifunction digital indicator (MDI) continuously provides truck status, operators can confidently and efficiently get the job done with excellent visibility in all directions.

## 4. Ergonomic

### Enhanced Comfort

These end riders provide maximized operator comfort and reduce fatigue with a virtually effortless tiller handle and large cushioned platform.

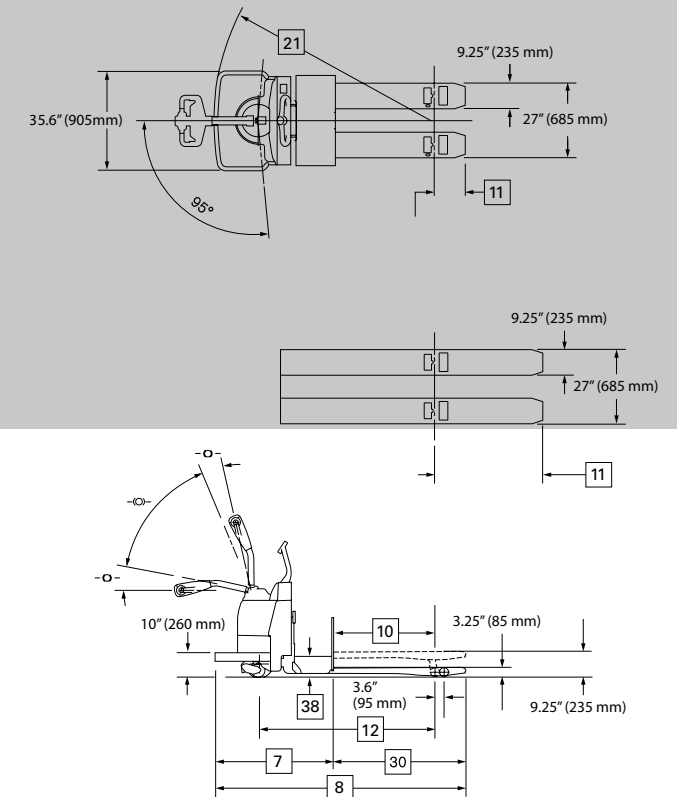
### Jog Buttons

The jog buttons on the tiller head allow operators to advance the truck without having to get on and off continuously, increasing productivity while maintaining the operator fresh throughout the shift.



| CHARACTERISTICS |   |         | PWR27M                               |                                       | PWR36M |  |   |
|-----------------|---|---------|--------------------------------------|---------------------------------------|--------|--|---|
| 1               | Capacity at rated load center                                 | lb kg   | 6,000                                | 2,720                                 | 1      | 8,000 3,630  |   |
| 2               | Capacity at load center – distance                            | in mm   | 24                                   | 500                                   | 2      | 24 500   |   |
| 3               | Power – diesel, gasoline, LP gas, electric                    |         | 24V electric                         |                                       | 3      | 24V electric   |   |
| 4               | Operator type   |         | walkie / rider                       |                                       | 4      | walkie / rider   |   |
| 5               | Tire type – drive/ caster / load wheels                       |         | solid rubber / poly / Dyalon® A Poly |                                       | 5      | solid rubber / poly / Dyalon® A Poly                                     |   |
| 6               | Wheels (x=driven) number drive / caster / load                |         | 1x / 2 / 2                           |                                       | 6      | 1x / 2 / 2   |   |
| DIMENSIONS      |   |         | PWR27M                               |                                       | PWR36M |  |   |
| 7               | Head length   | in mm   | 42.7                                 | 1,085                                 | 7      | 42.7 1,085   |   |
| 8               | Overall truck length  | in mm   | 78.8 / 84.8 / 90.8 / 126.8 / 138.8   | 2,000 / 2,155 / 2,305 / 3,220 / 3,530 | 8      | 78.8 / 84.8 / 90.8 / 126.8 / 138.8 2,000 / 2,155 / 2,305 / 3,220 / 3,530 |   |
| 9               | Chassis width   | in mm   | 35.6                                 | 905                                   | 9      | 35.6 905   |   |
| 10              | Face of forks to center of load wheel – forks raised          | in mm   | 24.4 / 30.4 / 36.4 / 56.5 / 56.      | 620 / 770 / 925 / 1,435 / 1,435       | 10     | 24.4 / 30.4 / 36.4 / 56.5 / 56. 620 / 770 / 925 / 1,435 / 1,435          |   |
|                 | Face of forks to center of load wheel – forks lowered         | in mm   | 28.0 / 34.0 / 40.0 / 60.1 / 60.1     | 710 / 865 / 1,015 / 1,525 / 1525      |        |  | 28.0 / 34.0 / 40.0 / 60.1 / 60.1 710 / 865 / 1,015 / 1,525 / 1525     |
| 11              | Center of load wheel to fork tips – forks raised              | in mm   | 11.3 / 11.3 / 11.3 / 27.2 / 39.2     | 290 / 290 / 290 / 690 / 995           | 11     | 11.3 / 11.3 / 11.3 / 27.2 / 39.2 290 / 290 / 290 / 690 / 995             |   |
|                 | Center of load wheel to fork tips – forks lowered             | in mm   | 7.7 / 7.7 / 7.7 / 23.6 / 35.6        | 195 / 195 / 195 / 605 / 905           |        |  | 7.7 / 7.7 / 7.7 / 23.6 / 35.6 195 / 195 / 195 / 605 / 905             |
| 12              | Wheelbase – forks raised                                      | in mm   | 51.6 / 57.6 / 63.6 / 83.5 / 83.5     | 1,310 / 1,465 / 1,615 / 2,120 / 2,120 | 12     | 51.6 / 57.6 / 63.6 / 83.5 / 83.5 1,310 / 1,465 / 1,615 / 2,120 / 2,120   |   |
|                 | Wheelbase – forks lowered                                     | in mm   | 55.2 / 1.2 / 67.2 / 87.1 / 87.1      | 1,405 / 1,555 / 1,710 / 2,215 / 2,215 |        |  | 55.2 / 1.2 / 67.2 / 87.1 / 87.1 1,405 / 1,555 / 1,710 / 2,215 / 2,215 |
| 13              | Drive tire dimensions   | in mm   | 10 x 5                               | 254 x 127                             | 13     | 10 x 5 254 x 127   |   |
| 14              | Caster wheel dimensions                                       | in mm   | 5 x 2.5                              | 127 x 64                              | 14     | 5 x 2.5 127 x 64   |   |
| 15              | Load wheel dimensions   | in mm   | 3.25 x 6                             | 83 x 152                              | 15     | 3.25 x 6 83 x 152  |   |
| 16              | Travel speed – unloaded                                       | mph kph | 9.1                                  | 14.6                                  | 16     | 9 14.6   |   |
| 17              | Travel speed – loaded   | mph kph | 6.6                                  | 10.6                                  | 17     | 6.1 9.8  |   |
| 18              | Lift / lower speed – unloaded                                 | seconds | 3.6                                  | 5.1                                   | 18     | 3.6 5.1  |   |
| 19              | Lift / lower speed – loaded                                   | seconds | 5.1                                  | 4.8                                   | 19     | 6.1 4.7  |   |
| 20              | Grade clearance – forks raised with pallet                    | in mm   | 36.4 / 32.5 / 29.4 / 22.4 / 22.4     |                                       | 20     | 36.4 / 32.5 / 29.4 / 22.4 / 22.4   |   |
| 21              | Turning radius – standard                                     | in mm   | 68.0 / 73.9 / 79.7 / 99.5 / 99.5     | 1,730 / 1,875 / 2,025 / 2,530 / 2,530 | 21     | 68.0 / 73.9 / 79.7 / 99.5 / 99.5 1,730 / 1,875 / 2,025 / 2,530 / 2,530   |   |
| 22              | Right angle stacking aisle* (40", 42", 48" load width)        | in mm   | 78.0 / 84.0 / 90.0 / 128.0 / 140.0   | 1,980 / 2,130 / 2,285 / 3,230 / 3,540 | 22     | 78.0 / 84.0 / 90.0 / 128.0 / 140.0 1,980 / 2,130 / 2,285 / 3,230 / 3,540 |   |
| 23              | 90° equal intersecting area* – 40" load length                | in mm   | 66.2 / 69.3 / 72.4 / 83.6 / 84.7     | 1,685 / 1,760 / 1,840 / 2,125 / 2,150 | 23     | 66.2 / 69.3 / 72.4 / 83.6 / 84.7 1,685 / 1,760 / 1,840 / 2,125 / 2,150   |   |
| 24              | 90° equal intersecting area* – 42" load length                | in mm   | 67.2 / 70.3 / 73.4 / 84.6 / 85.8     | 1,710 / 1,785 / 1,865 / 2,150 / 2,180 | 24     | 67.2 / 70.3 / 73.4 / 84.6 / 85.8 1,710 / 1,785 / 1,865 / 2,150 / 2,180   |   |
| 25              | 90° equal intersecting area* – 48" load length                | in mm   | 70.3 / 73.4 / 76.2 / 87.8 / 88.9     | 1,785 / 1,865 / 1,945 / 2,230 / 2,260 | 25     | 70.3 / 73.4 / 76.2 / 87.8 / 88.9 1,785 / 1,865 / 1,945 / 2,230 / 2,260   |   |
| 26              | Truck weight – no load, without battery                       | lb kg   | 1110 / 1140 / 1165 / 1305 / 1340     | 505 / 515 / 530 / 590 / 610           | 26     | 1110 / 1140 / 1165 / 1305 / 1340 505 / 515 / 530 / 590 / 610             |   |
| 27              | Battery weight – minimum                                      | lb kg   | 900                                  | 410                                   | 27     | 900 410  |   |
| 28              | Battery weight – maximum                                      | lb kg   | 1,500                                | 680                                   | 28     | 1,500 680  |   |
| 29              | Forks size – outside spread                                   | in mm   | 27                                   | 685                                   | 29     | 27 685   |   |
| 30              | Fork length   | in mm   | 36 / 42 / 48 / 84 / 96               | 915 / 1,060 / 1,210 / 2,125 / 2,430   | 30     | 36 / 42 / 48 / 84 / 96 915 / 1,060 / 1,210 / 2,125 / 2,430               |   |
| 31              | fork height – raised  | in mm   | 9.25                                 | 235                                   | 31     | 9.25 235   |   |
| 32              | Fork height – lowered   | in mm   | 3.25                                 | 82.5                                  | 32     | 3.25 82.5  |   |
| 33              | Fork width  | in mm   | 9.25                                 | 235                                   | 33     | 9.25 235   |   |
| 34              | Compartment size* – length x width x height                   | in mm   | 31.9 x 13.25 x 32                    | 810 x 335 x 815                       | 34     | 31.9 x 13.25 x 32 810 x 335 x 815  |   |
| 35              | Amp Hr capacity – maximum (6-hour)                            | Ah      | 840                                  |                                       | 35     | 840  |   |
| 36              | Lead length – position B                                      | in mm   | 20                                   | 508                                   | 36     | 20 508   |   |
| 37              | Connector   | type    | SB-175 Red                           |                                       | 37     | SB-175 Red   |   |
| 38              | Battery roller (optional) – height from floor (forks lowered) | in mm   | 7.9                                  | 200                                   | 38     | 7.9 200  |   |

# PWR27M- PWR36M



\*Battery compartment size with adjustable retainers - 30.9 x 13.25 x 32 (785 x 335 x 815); With optional rollers and side gates: 31.1 x 13.25 x 32 (790 x 335 x 815)

## SAFETY STANDARDS

These trucks meet American National Standards Institute/Industrial Truck Standards Development Foundation, ANSI/ITSDF B56.1. Users should be aware of, and adhere to, applicable codes and regulations regarding operator training, use, operation and maintenance of powered industrial trucks, including:

- ANSI/ITSDF B56.1.
- NFPA 505, fire safety standard for powered industrial trucks -type designations, areas of use, maintenance and operation.
- Occupational Safety and Health Administration (OSHA) regulations that may apply.

Specifications, equipment, technical data, photos and illustrations based on information at time of printing and subject to change without notice. Some products may be shown with optional equipment.

# PWR27M-PWR36M

6,000 / 8,000 LB CAPACITY END RIDERS

## Durability Where You Need It

### 1. A Strong Design

With a heavy-duty frame and powder coat finish inside and out, the end rider series is built to last.

### 2. Serviceability

The uniquely designed steer race and enclosed frame help keep major components free from any debris for less maintenance and longer life. To promote routine maintenance, the lubrication fittings are easily accessible on the truck. An optional autolift feature ensures forks are lifted during operation to provide clearance to reduce pallet and load carry damage.

### 3. Reliable Forks

Our end riders are equipped with some of the largest forks in the industry measuring 9 1/4" wide and being constructed from 1/4" plated steel with reinforced tips. With tapered 1/4" steel fork slides, the need for rollers or discs during pallet entry and exit is no longer needed.

### 4. Cold And Wet Environments

These trucks have the ability to operate in wet rooms, coolers and freezers down to 20 degree F (-28.9 degree C) with the IP65 rated sealed controllers, switches and logic.



Manufactured with superior quality and exceptional value, Mitsubishi forklift trucks are supported by an extensive dealer and field support network located throughout North and South America. Don't forget to ask your local Mitsubishi forklift truck dealer about details on factory retail programs, financing plans and additional options and dealer services like planned maintenance and operator training.

Note: Equipping this model with a power source (e.g. Lithium-ion, Hydrogen Fuel cell, etc.) that has not been previously approved by the factory is considered a modification. Per OSHA 1910.178 and ANSI/ITSDF B56.1, please consult with your factory representative prior to installing any non-OEM power source that has not been previously approved.

\*The product shown may be different than the actual configuration based on market requirements.

Copyright © 2020. All rights reserved. All registered trademarks are the property of their respective owners.

Some products may be shown with optional equipment.

MEHN0207

08/20

