

Powerful, maintenance-free 3-phase AC technology

1.6 kW AC drive motor

Proportional hydraulics for precise lifting and lowering

Comfortable steering with electrical tiller and curveCONTROL standard on straddle models

Flexible design with fork-over or straddle baseleg options to suit virtually every application



## EJC 212-220 & EJC 212b-220b

Electric pedestrian controlled truck (2,600 - 4,400 lbs.)

The efficient and versatile EJC and EJC b electric pedestrian stackers are particularly well-suited for the economic transport of goods over short to medium distances. They are also ideal for stacking and retrieval operations on higher racking levels up to 197". With high level of efficiency provided by excellent energy management, and the option

of both fork-over and straddle version design, these trucks provide excellent flexibility.

The EJC and EJC b trucks have an optional integrated charger for quick and easy opportunity charging. This provides greater operational flexibility and leads to increased productivity and throughput. With fork-

over and straddle baseleg options available, customers can handle both Euro pallets and Grocery Manufacturers Association (GMA) pallets effectively and efficiently. The robust and precise lift motor allows for gentle lifting and lowering of loads.

**JUNGHEINRICH®**

# Technical data

Characteristics	1.1 Manufacturer			Jungheinrich		Jungheinrich		Jungheinrich		Jungheinrich					
	1.2 Model			EJC 212		EJC 214		EJC 216		EJC 220					
Weights	1.3 Drive			Electric		Electric		Electric		Electric					
	1.4 Type of operation			Pedestrian		Pedestrian		Pedestrian		Pedestrian					
Wheels, Chassis	1.5 Load capacity / rated load			Q	lb	kg	2,600	1,200	3,000	1,400	3,500	1,600	4,400	2,000	
	1.6 Load center distance			c	in	mm	23.6	600	23.6	600	23.6	600	23.6	600	
Dimensions	1.8 Load distance, center of drive axle to fork			x	in	mm	27.1	689	25.5	647	25.5	647	25.5	647	
	1.9 Wheelbase			y	in	mm	47.1	1,196	49.8	1,264	49.8	1,264	52.6	1,336	
Performance	2.1 Service weight (including battery)					lb	kg	1,940	880	2,291	1,039	2,302	1,044	2,661	1,207
	2.2 Axle load – with load, front / rear					lb	kg	1,455 / 3,131	660 / 1,420	1,750 / 3,627	794 / 1,645	1,795 / 4,034	814 / 1,830	1,936 / 5,135	878 / 2,329
Electrical	2.3 Axle load – unloaded, front / rear					lb	kg	1,301 / 639	590 / 290	1,590 / 701	721 / 318	1,596 / 705	724 / 320	1,775 / 886	805 / 402
	3.1 Tires					PU		PU		PU		PU			
Other	3.2 Tire size, front					Ø 9.1 x 2.8		Ø 9.1 x 2.8		Ø 9.1 x 2.8		Ø 9.1 x 2.8			
	3.3 Tire size, rear					Ø 3.3x 4.3 / 3.3		Ø 3.3x 4.3 / 3.3		Ø 3.3x 4.3 / 3.3		Ø 3.3x 4.3 / 3.3			
Weights	3.4 Additional wheels					Ø 5.5 x 2.1		Ø 5.5 x 2.1		Ø 5.5 x 2.1		Ø 5.5 x 2.1			
	3.5 Wheels – number, front / rear (x=driven)					1x + 1 / 2		1x + 1 / 2		1x + 1 / 2		1x + 1 / 2			
Dimensions	3.6 Tread width, front			b <sub>10</sub>	in	mm	20	507	20	507	20	507	20	507	
	3.7 Tread width, rear			b <sub>11</sub>	in	mm	15.7	400	15.7	400	15.7	400	15.7	400	
Performance	4.2 Mast height (lowered)			h <sub>1</sub>	in	mm	76.8	1,950	76.8	1,950	76.8	1,950	82.7	2,100	
	4.3 Free lift			h <sub>2</sub>	in	mm	3.9	100	3.9	100	3.9	100	3.9	100	
Electrical	4.4 Maximum fork height			h <sub>3</sub>	in	mm	185	4,700	211	5,350	236	6,000	185	4,700	
	4.5 Extended mast height			h <sub>4</sub>	in	mm	132.9	3,375	132.9	3,375	130.9	3,325	136.4	3,465	
Weights	4.9 Height of tiller in drive position – minimum / maximum			h <sub>14</sub>	in	mm	33.5 / 51.4	850 / 1,305	33.5 / 51.4	850 / 1,305	33.5 / 51.4	850 / 1,305	33.5 / 51.4	850 / 1,305	
	4.15 Height, lowered				in	mm	3.5	90	3.5	90	3.5	90	3.5	90	
Dimensions	4.19.4 Overall length including fork length			l <sub>1</sub>	in	mm	71.9	1,827	75.4	1,916	75.4	1,916	78.3	1,988	
	4.20 Length – including fork shank			l <sub>2</sub>	in	mm	26.7	677	30.2	766	30.2	766	33.0	838	
Performance	4.21 Overall width			b <sub>1</sub> / b <sub>2</sub>	in	mm	31.5	800	31.5	800	31.5	800	31.5	800	
	4.22 Fork dimensions, thickness / width / length				in	mm	2.2 / 7.3 / 45.3	56 / 185 / 1,150	2.2 / 7.3 / 45.3	56 / 185 / 1,150	2.2 / 7.3 / 45.3	56 / 185 / 1,150	2.2 / 7.3 / 45.3	56 / 185 / 1,150	
Electrical	4.24 Fork carriage width			b <sub>3</sub>	in	mm	–	–	–	–	–	–	–	–	
	4.25 Width across forks (dimension 1). WaF*			b <sub>5</sub>	in	mm	22.4	570	22.4	570	22.4	570	22.4	570	
Dimensions	4.32 Ground clearance, center wheelbase			m <sub>2</sub>	in	mm	1.1	28	1.1	28	1.0	25	0.7	18	
	4.33 Aisle width for pallets 48" X 40" lengthwise			Ast	in	mm	88.8	2,255	96.5	2,450	96.5	2,450	96.5	2,450	
Performance	4.34 Aisle width for pallets 40" X 48" crossways			Ast	in	mm	87.3	2,217	94.0	2,386	94.0	2,386	94.0	2,386	
	4.35 Turning radius			Wa	in	mm	55.4	1,407	61.7	1,567	61.7	1,567	61.7	1,567	
Other	5.1 Travel speed, with / without load			mph/km/h		3.7 / 3.7	6 / 6	3.7 / 3.7	6 / 6	3.7 / 3.7	6 / 6	3.7 / 3.7	6 / 6		
	5.2 Lift speed, with / without load			f/m m/s		39.4 / 78.7	0.2 / 0.4	31.5 / 59.1	0.16 / 0.3	31.5 / 59.1	0.15 / 0.3	–	–		
Electrical	5.3 Lower speed, with / without load			f/m m/s		88.6 / 68.9	0.45 / 0.35	88.6 / 68.9	0.45 / 0.35	88.6 / 68.9	0.45 / 0.35	–	–		
	5.8 Maximum gradeability, with / without load			%		8 / 16	8 / 16	8 / 16	8 / 16	7 / 16	7 / 16	5 / 16	5 / 16		
Performance	6.1 Drive motor, rating S <sub>2</sub> 60 minutes			kW		1.6	1.6	1.6	1.6	1.6	1.6	1.6	1.6		
	6.2 Lift motor, output with S <sub>3</sub>			kW		3	3	3	3	3	3	3	3		
Dimensions	6.3 Battery according to DIN 43531/35/36			no		no	no	no	no	no	no	no	no		
	6.4 Battery voltage / nominal capacity			k <sub>s</sub>	V	Ah	24 / 200	24 / 200	24 / 300	24 / 300	24 / 300	24 / 300	24 / 375		
Electrical	6.5 Battery weight			lb kg		408	185	536	243	535	243	635	288		
	6.6.1 Energy consumption according to EN cycle			kWh/h		0.77	0.77	0.83	0.83	0.91	0.91	–	–		
Other	6.6.2 CO <sub>2</sub> equivalent as per EN 16796			lb/h kg/h		0.9	0.42	1.0	0.45	1.1	0.49	–	–		
	8.1 Type of drive control					AC		AC		AC		AC			
Weights	10.7 Sound level at driver's ear according to EN 12053			dB(A)		63		63		63		63			

1) 1.6 kW with option of electric steering

2) with L battery compartment (375 Ah) + 80 mm

3) With DZ mast: x - 42 mm; l1 + 42 mm; l2 + 42 mm

4) Tiller in upright position (crawl speed)

5) Diagonal as per VDI: + 138 mm

6) Diagonal as per VDI: + 214 mm

7) Values for 290 ZT standard mast; 280 ZT and with battery as per line 6.5

\* For ECJ b models, the forks are adjustable: maximum – 27.8 / 36.5 in (706 / 926 mm) depending on the width of the fork carriage width 31.5 / 38.4 in (width 800 / 975mm)

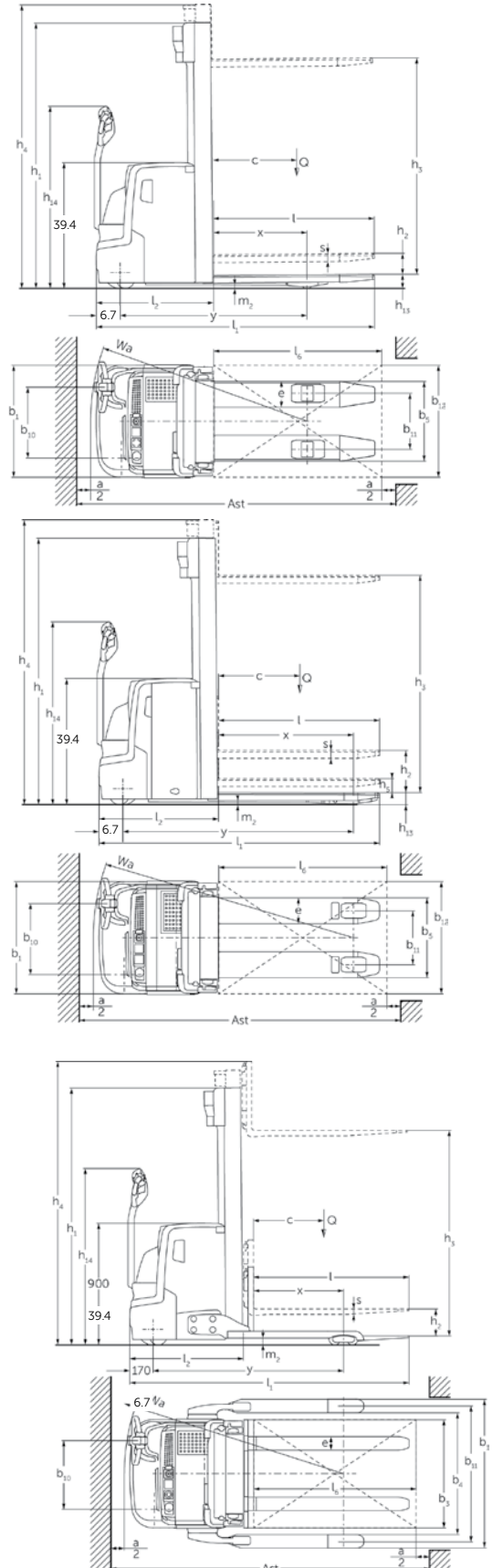
This specification sheet only provides technical values for the standard truck. Non-standard tires, different masts, additional equipment, etc., could produce other values. Rights reserved for technical changes and improvements.

as of: 8/2021

Jungheinrich EJC 212b Electric Pedestrian		Jungheinrich EJC 214b Electric Pedestrian		Jungheinrich EJC 216b Electric Pedestrian		Jungheinrich EJC220b Electric Pedestrian	
2,600	1,200	3,000	1,400	3,500	1,600	4,400	2,000
23.6	600	23.6	600	23.6	600	23.6	600
27.7	703	26.3	668	26.3	668	26.3	668
53.0	1,347	55.5	1,409	55.5	1,409	55.5	1,409
2,348	1,065	2,526	1,146	2,526	1,146	2,601	1,180
1,764 / 3,230	800 / 1,465	1,812 / 3,801	822 / 1,724	1,825 / 4,228	828 / 1,918	1,896 / 5,115	860 / 2,320
1,609 / 739	730 / 335	1,660 / 866	753 / 393	1,660 / 866	753 / 393	1,698 / 904	770 / 410
PU		PU		PU		PU	
Ø 9.1 x 2.8		Ø 9.1 x 2.8		Ø 9.1 x 2.8		Ø 9.1 x 2.8	
Ø 3.3 x 3.0		Ø 3.3 x 3.0		Ø 3.3 x 3.0		Ø 3.3 x 3.0	
Ø 5.5 x 2.2		Ø 5.5 x 2.2		Ø 5.5 x 2.2		Ø 5.5 x 2.2	
1x + 1 / 2		1x + 1 / 2		1x + 1 / 2		1x + 1 / 2	
20.0	507	20.0	507	20.0	507	20.0	507
39.4	1,000	39.4	1,000	39.4	1,000	39.4	1,000
46.1	1,170	46.1	1,170	46.1	1,170	46.1	1,170
53.9	1,370	53.9	1,370	53.9	1,370	53.9	1,370
76.8	1,950	76.8	1,950	76.8	1,950	82.7	2,100
3.9	100	3.9	100	3.9	100	3.9	100
185	4,700	211	5,350	236	6,000	185	4,700
136.6	3,470	136.6	3,470	132.7	3,370	136.4	3,465
33.5 / 51.4	850 / 1,305	33.5 / 51.4	850 / 1,305	33.5 / 51.4	850 / 1,305	33.5 / 51.4	850 / 1,305
1.6	40	1.6	40	1.6	40	2.0	50
77.3	1,963	81.1	2,060	81.1	2,060	81.1	2,060
32.0	813	35.8	910	35.8	910	35.8	910
43.3	1,100	43.3	1,100	43.3	1,100	43.3	1,100
1.6 / 3.9 / 45.3	40 / 100 / 1,150	1.6 / 3.9 / 45.3	40 / 100 / 1,150	1.6 / 3.9 / 45.3	40 / 100 / 1,150	2.0 / 5.5 / 45.3	50 / 140 / 1,150
31.5	800	31.5	800	31.5	800	31.5	800
—	—	—	—	—	—	—	—
2.0	50	2.0	50	2.0	50	1.6	40
94.0	2,388	97.9	2,486	97.9	2,486	97.9	2,486
92.8	2,358	95.8	2,434	95.8	2,434	95.8	2,434
61.0	1,550	63.8	1,620	63.8	1,620	63.8	1,620
3.7 / 3.7	6 / 6	3.7 / 3.7	6 / 6	3.7 / 3.7	6 / 6	3.7 / 3.7	6 / 6
39.4 / 78.7	0.2 / 0.4	31.5 / 59.1	0.16 / 0.30	29.5 / 59.1	0.15 / 0.30	—	—
88.6 / 68.9	0.45 / 0.35	88.6 / 68.9	0.45 / 0.35	88.6 / 68.9	0.45 / 0.35	—	—
8 / 16		7 / 16		7 / 16		5 / 16	
1.6		1.6		1.6		1.6	
3		3		3		3	
no		no		no		no	
24 / 300		24 / 375		24 / 375		24 / 375	
551	250	635	288	635	288	635	288
0.77		0.83		0.91		—	
0.9	0.42	1.0	0.45	1.1	0.49	—	—
AC		AC		AC		AC	
63		63		63		63	

- 1) 1.6 kW with option of electric steering
  - 2) with L battery compartment (375 Ah) + 80 mm
  - 3) With DZ mast: x - 42 mm; l1 + 42 mm; l2 + 42 mm
  - 4) Tiller in upright position (crawl speed)
  - 5) Diagonal as per VDI: + 138 mm
  - 6) Diagonal as per VDI: + 214 mm
  - 7) Values for 290 ZT standard mast; 280 ZT and with battery as per line 6.5
- \* For ECJ b models, the forks are adjustable: maximum - 27.8 / 36.5 in (706 / 926 mm) depending on the width of the fork carriage width 31.5 / 38.4 in (width 800 / 975mm)

Note: Equipping this model (these models) with a power source (e.g. Lithium-ion, Hydrogen Fuel cell, etc.) that has not been previously approved by the factory is considered a modification. Per OSHA 1910.178 and ANSI/ITSDF B56.1, please consult with your factory representative prior to installing any non-OEM power source that has not been previously approved.



# The Jungheinrich Advantage



Intuitive controls



Multiple configurations



Easy to maneuver

## 'Intelligent' control and advanced drive technology

The EJC and EJC b series are equipped with a modern 3-phase AC drive motor, offering you greater performance while simultaneously reducing operating costs. Advantages:

- High level of efficiency with excellent energy management
- Powerful acceleration
- Rapid direction change
- No carbon brushes – maintenance-free drive motor
- Intuitive control of all lifting and lowering functions

## Flexibility and awareness

Fork-over and straddle designs available for Euro pallets and GMA pallets respectively. Optional 2" display functions as a central display and setting instrument to keep operator aware of truck status at all times.

- Battery charge status
- Operating hours
- Event messages
- Choice of 3 travel programs to tailor to specific operation requirements or operator levels
- Activation via key switch (standard) or easyACCESS using soft keys or PIN code

## Easy stacking and retrieval

- Intuitive control of all lifting and lowering functions with multifunction tiller head
- Precise and gentle lifting / lowering of loads with speed-controlled hydraulic motor
- Four-wheel concept for excellent load stability

## Comfortable and intuitive operation

- The electric tiller steering is precise and allows for easy steering and fatigue-free operation, even in confined spaces. curveCONTROL (straddle models) monitors steer angle and automatically reduces the speed of the truck when cornering
- Practical storage compartments in the dashboard provide space for items such as pens, pencils, clip pads, etc.

## Long run times and uptime

- Side battery extraction option (Fork-over models only) for multishift applications
- Integrated, on-board charger (110/120V-30A) for wet-cell batteries and maintenance-free batteries for easy charging at any 230V main socket (optional)

## Robust and productive design

The EJC and EJC b are designed for highly productive applications and easy serviceability:

- 0.31" steel chassis
- Enclosed chassis
- Robust mast with high residual capacities
- Drive motor panel is easy to open
- Service access points on front apron
- Support wheel are easily changed with truck slightly raised
- Tiller electronics sealed against moisture and dirt with IP65 rating

## Additional equipment

- Load guard
- Full or half option bar for additional equipment
- Shorter battery compartment from previous generation for better maneuverability
- USB chargers
- easyACCESS softkey (2-inch color display)
- Speed display, load display, battery residual time display
- Floor spots, mirrors, additional storage space, etc.

## Additional features

- Gentle lowering of loads
- Cold store version
- Load backrest options on specific models
- Tandem load wheels on specific models
- Connection options for terminal, scanners, printers, etc.

## Parts when you need them

Jungheinrich's Parts Fast or Parts Free Guarantee ensures next-business-day delivery by 5:00 PM of all Jungheinrich parts in the United States, or they're free, including freight. For customers in Canada and Mexico, the guarantee ensures shipping of parts within 24 hours from the time the order was placed by the dealer. See your local Jungheinrich dealer for program details.

- \* Programs may be subject to change without notice and may vary by region. Please ask your local Jungheinrich dealer for complete terms and conditions.
- \*\*The product shown may be different than the actual configuration based on market requirements.